

# PULL ACTION LATCH CLAMPS

## Sizing and Application Chart



Series	Page MC-PAL-#	Max. Holding Capacity N [lbf.]					Plunger Travel mm [inch]					
		0 to 2000 [0 to 450]	2000 to 4000 [450 to 900]	4000 to 6000 [900 to 1350]	6000 to 10000 [1350 to 2250]	10000 to 20000 [2250 to 4500]	20000+ [4500+]	0 to 50 [0 to 1.97]	50 to 75 [1.97 to 2.95]	75 to 100 [2.95 to 3.94]	100 to 125 [3.94 to 4.92]	125 to 150 [4.92 to 5.91]
3031	3	●					●					
3051	3				●		●					
330	5	●						●				
351	5	●								●		
371	5		●								●	
381	5			●								●
323	9	●					●					
331	9		●					●				
341	9				●				●			
375	13					●				●		
385	15						●		●			
324	18		●					●				
334	18			●					●			
344	18				●				●			
374	18					●		●				
301	22	●									●	
311	22			●						●		
3011	23				●					●		
353	24			●	●			●				

● Excellent/High ○ Fair/Medium ● Poor/Low ⊗ Not Recommended

# PULL ACTION LATCH CLAMPS

## Sizing and Application Chart

Overall Height mm [inch]						Overall Length mm [inch]						Overall Width mm [inch]						Standard Material			Hook Style			Service Environment		
0 to 50 [0 to 1.97]	50 to 75 [1.97 to 2.95]	75 to 100 [2.95 to 3.94]	100 to 125 [3.94 to 4.92]	125 to 150 [4.92 to 5.91]	150+ [5.91+]	50 to 100 [1.97 to 3.94]	100 to 150 [3.94 to 5.91]	150 to 200 [5.91 to 7.87]	200 to 250 [5.91 to 9.84]	250 to 300 [5.91 to 11.81]	300 to 350 [11.81 to 13.78]	0 to 40 [0 to 1.57]	40 to 50 [1.57 to 1.97]	50 to 60 [1.97 to 2.36]	60 to 70 [2.36 to 2.76]	70 to 80 [2.76 to 3.15]	80 to 90 [3.15 to 3.54]	Duty Cycle	Steel	Stainless Steel	Toggle Lock Plus™	Fixed	Adjustable U-Hook	Adjustable J-Hook	Normal	Harsh/Dirty
●								●				●						○	✓	✓	✓			✓	✓	
●								●				●						○	✓	✓	✓			✓	✓	
●								●				●						○	✓	✓	✓			✓	✓	
	●									●				●				○	✓	✓	✓			✓	✓	
	●									●						●		○	✓	✓	✓			✓	✓	
●						●					●							○	✓	✓	✓		✓		✓	
●								●				●						○	✓	✓	✓		✓		✓	
	●													●				○	✓	✓	✓		✓		✓	
		●																○	✓	✓	✓		✓		✓	
			●															○	✓	✓	✓		✓		✓	
				●														○	✓	✓	✓		✓		✓	
					●													○	✓	✓	✓		✓		✓	
									●	●								○	✓	✓	✓		✓		✓	
																		○	✓	✓	✓		✓		✓	

# 3031, 3051 SERIES

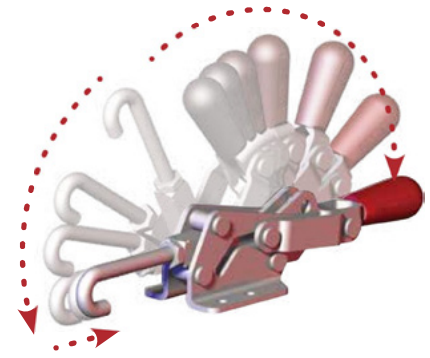
## Pull Action Latch Clamps | Product Overview

### Features:

- Safe, single handed operation
- Innovative controlled motion
- Secure toggle locking action
- Simple set-up and adjustment
- Clamp hook/arm moves and stays safely out of the way
- Stainless steel version available as **-SS** models

### Applications:

- Molding
- Closures for doors, lids, covers
- Assembly
- Checking fixtures



3031 ⓘ  
3031-SS



3031-R ⓘ  
3031-RSS ⓘ  
with DESTACO®  
Toggle Lock  
Plus™



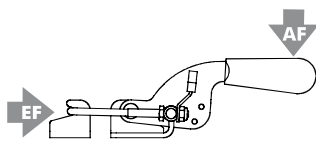
3051  
3051-SS



3051-R  
3051-RSS  
with DESTACO®  
Toggle Lock  
Plus™



## Technical Information | Holding Capacities | Dimensions



Model	Max. Holding Capacity	Weight	EF:AF	Drawing Movement	Replacement Hook Assembly	Hook Adj. Range
3031 ⓘ	900N [200lbf]	0,30kg [0.65lb]	12:1	12,7 [0.50]	3031208	10 [0.39]
3031-R ⓘ					3031808	
3031-SS						
3031-RSS ⓘ						
3051	6700N [1500lbf]	0,50kg [1.0lb]	12:1	19,1 [0.75]	3051208	14 [0.55]
3051-R					3051808	
3051-SS						
3051-RSS						

ⓘ Coming Soon

# 3031, 3051 SERIES

## Pull Action Latch Clamps | Product Overview

3031 ⓘ  
3031-SS



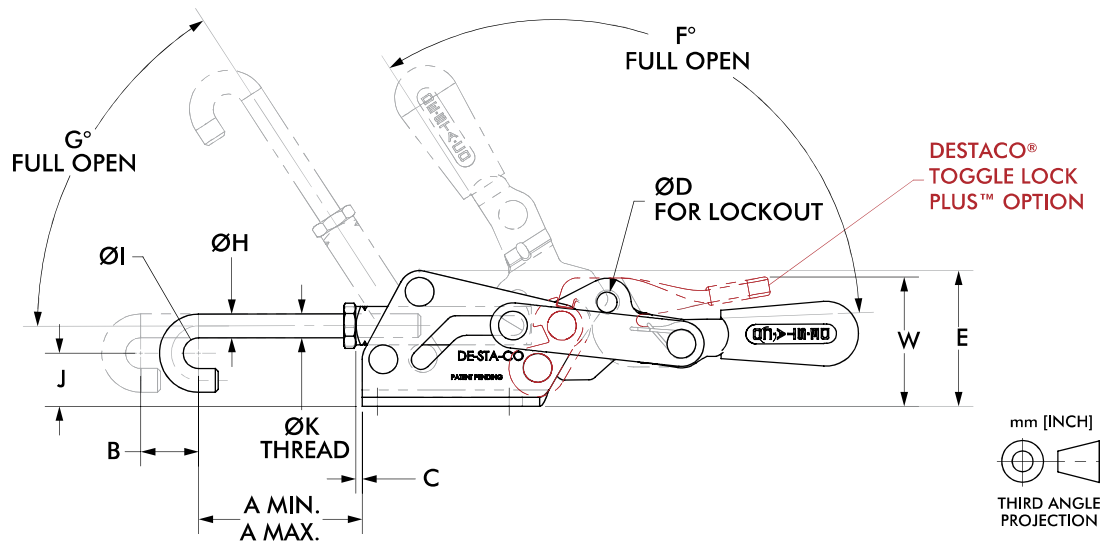
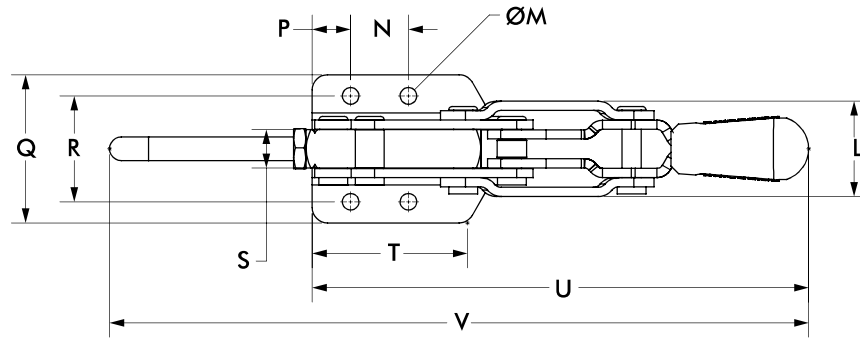
3031-R ⓘ  
3031-RSS ⓘ



3051  
3031-SS



3051-R  
3051-RSS



mm [INCH]  
THIRD ANGLE PROJECTION

Model	A min.	A max	B	C	D	E	F	G	H	I	J	K
3031 ⓘ												
3031-SS	[1.62]	[2.02]	[.50]	[.16]	[.19]	[1.35]	123°	50°	[.17]	[.32]	[.48]	M5x0.8
3031-R ⓘ	41,25	51,25	12,5	4,1	Ø4,7	34,3			Ø4,4	Ø8,1	12,1	
3031-RSS ⓘ												
3051												
3051-SS	[1.99]	[2.50]	[.75]	[.08]	[.27]	[1.77]	123°	57°	[.31]	[.39]	[.69]	M8x1.25
3051-R	50,6	63,6	19,1	2,1	Ø6,7	44,9			Ø8,0	Ø10	17,6	
3051-RSS												

Model	L	M	N	P	Q	R	S	T	U	V	W
3031 ⓘ											-
3031-SS	[1.12]	[.22]	[.75]	[.38]	[1.69]	[1.22]	[.38]	[1.65]	[5.71]	[8.06]	
3031-R ⓘ	28,4	Ø5,5	19,1	9,5	43	31,1	9,5	42	145,1	204,8	[1,77]
3031-RSS ⓘ											44.8
3051											
3051-SS	[1.24]	[.22]	[.75]	[.50]	[1.93]	[1.38]	[.50]	[2.03]	[6.47]	[8.98]	
3051-R	31,4	Ø5,5	19,1	12,7	49	35	12,7	51,5	164,4	228	[1.68]
3051-RSS											42,7

ⓘ Coming Soon

Dimensions and technical information are subject to change without notice

MC-PAL | 4



# 330, 351, 371, 381 SERIES

## Pull Action Latch Clamps | Product Overview

### Features:

- J-hook style latch clamps are supplied with threaded J-hooks for easy adjustment
- Supplied with patented thumb control lever for one handed operation
- DESTACO® Toggle Lock Plus™ versions available
- Stainless steel version available as **-SS** models

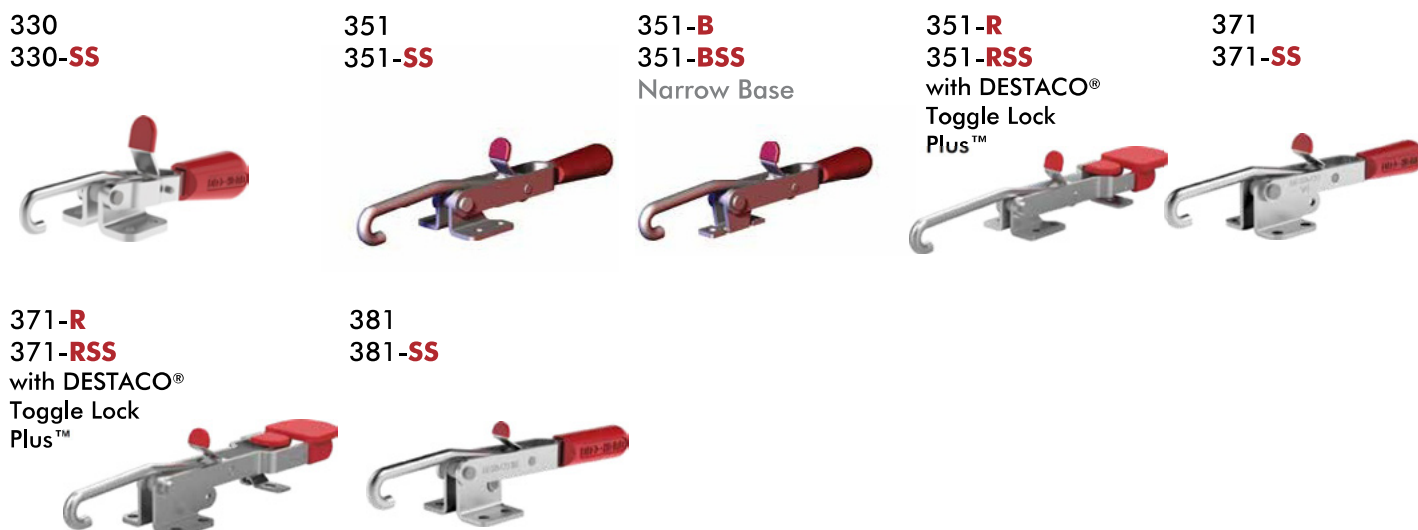
### Applications:

- Molding
- Closures for doors, lids, covers
- Assembly

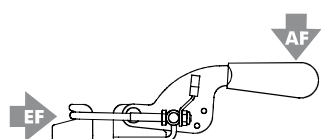
### Also Available:

- Clamps with longer hooks available Upon Request that are 25mm, 50mm, 100mm longer than standard length
- To order clamp with longer hook, add **-M-25**, **-M-50**, or **-M-100** to the end of the model. Example: 330-**M-50**

Covered under one or more U.S./International Patents



## Technical Information | Holding Capacities



Model	Max. Holding Capacity	Weight	EF:AF	Drawing Movement	Replacement Hook Assembly	Hook Adj. Range
330	900 N [200 lbf]	0,11kg [0.24lb]	17:1	59,7 [2.35]	330215	7.4 [0.29]
330-SS					330915	
351	1670 N [375 lbf]	0,28kg [0.61lb]	21:1	101,6 [4.00]	351215	12.4 [0.49]
351-SS	2000 N [450 lbf]				351915	
351-B	1670 N [375 lbf]				351215	
351-BSS					351915	
351-R					351215	
351-RSS					351915	
371	3340 N [750 lbf]				0,69kg [1.53lb]	
371-SS		371915				
371-R		371215				
371-RSS		371915				
381	4450 N [1000 lbf]	1,16kg [2.56lb]	37:1	155,7 [6.13]	381215	29.7 [1.17]
381-SS					381915	

EF = Exerting Force, AF = Applied Force



# 330, 351, 371, 381 SERIES

Pull Action Latch Clamps | Dimensions | -SS/-B/-BSS

330  
330-SS



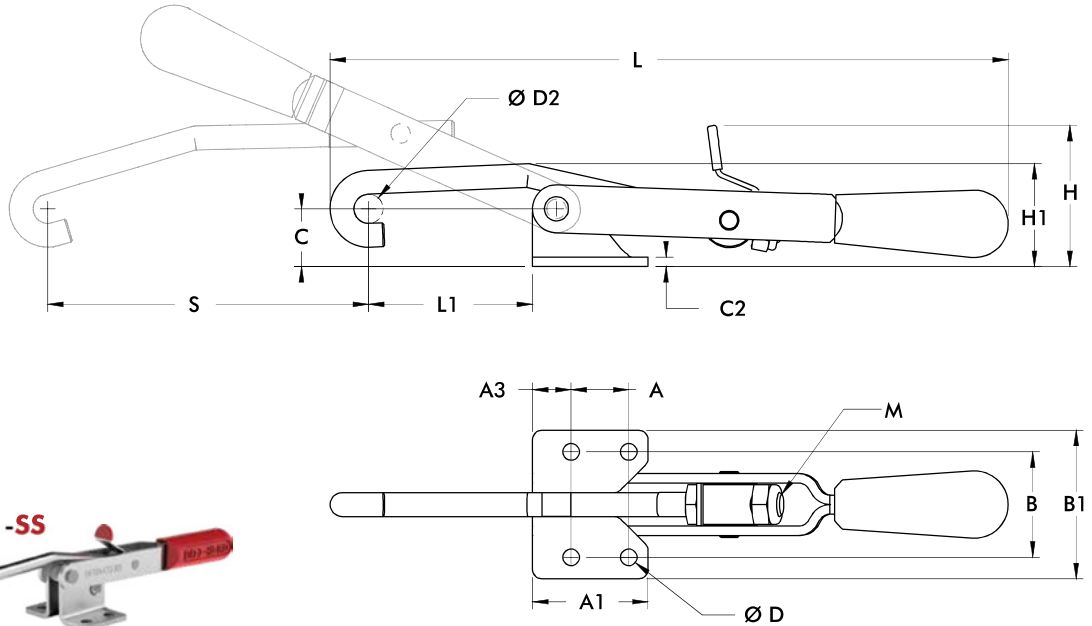
351  
351-SS



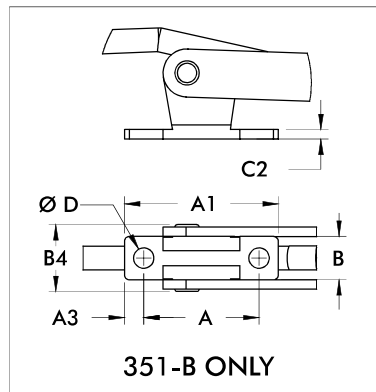
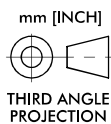
371  
371-SS



381  
381-SS



351-B  
351-BSS  
Narrow Base



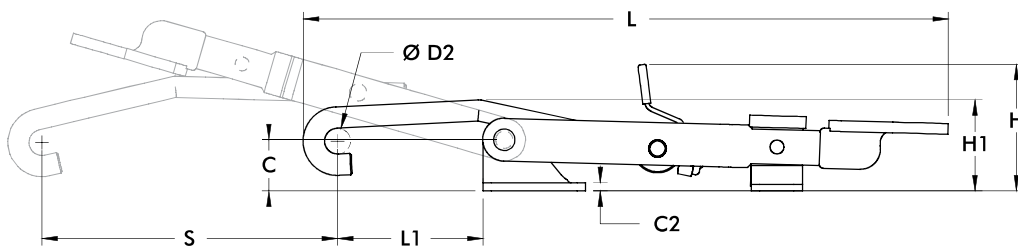
Model	A	A1	A3	B
330	[0.50]	[1.00]	[0.25]	[1.22]
330-SS	12,7	25,4	6,4	30,9
351	[0.75]	[1.50]	[0.50]	[1.37]
351-SS	19,1	38,1	12,7	34,8
351-B	[1.50]	[2.00]	[0.25]	[0.56]
351-BSS	38,1	38,1	6,4	14,3
371	[1.25]	[1.94]	[0.34]	[1.94]
371-SS	31,8	49,2	8,7	49,2
381	[1.13]	[2.13]	[0.50]	[2.37]
381-SS	28,6	54,1	12,7	60,3

Model	B1	B4	C	C2	Ø D	Ø D2	H	H1	L	L1 Max	M	S
330	[1.69]	-	[0.56]	[0.12]	[0.22]	[0.32]	[1.43]	[0.89]	[6.01]	[1.70]	M5	[2.35]
330-SS	42,9	-	14,2	3,1	5,6	8,1	36,2	22,6	152,7	43,3		59,7
351	[1.93]	-	[0.75]		[0.22]		[1.83]	[1.34]		[2.13]		
351-SS	49,1	-	19,1	[0.12]	5,5	[0.38]	46,6	34	[8.82]	54,2	M8	[4.00]
351-B		[0.87]	[0.86]		[0.27]		[1.94]	[1.45]		[1.63]		
351-BSS		22,1	21,8		6,7		49,3	36,8		41,4		
371	[2.63]	-	[1.42]	[0.16]	[0.34]	[0.50]	[2.58]	[2.23]	[11.89]	[2.81]	M10	[5.38]
371-SS	66,7	-	36,1	4	8,7	12,7	65,6	56,5	302	71,5		136,7
381	[3.38]	-	[1.81]	[0.19]	[0.41]	[0.62]	[2.90]	[2.71]	[13.45]	[3.13]	M12	[6.13]
381-SS	85,9	-	46	4,7	10,3	15,7	73,6	68,8	341,7	79,5		155,7

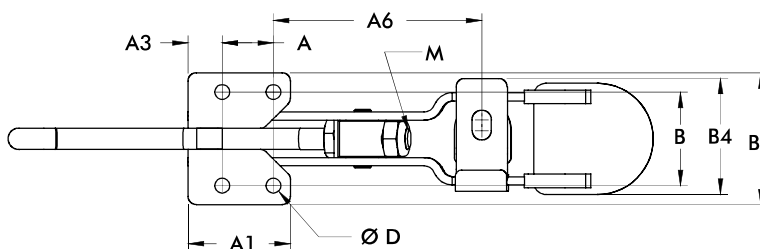
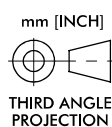
# 351-R, 371-R SERIES

## Pull Action Latch Clamps | Dimensions

**351-R**  
**351-RSS**  
with DESTACO®  
Toggle Lock  
Plus™

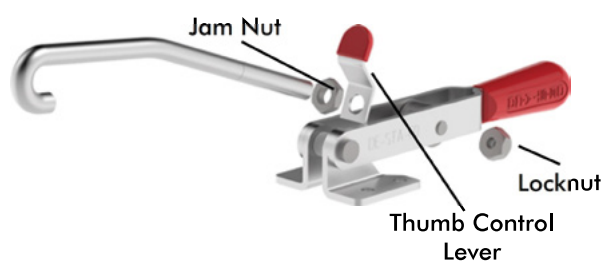
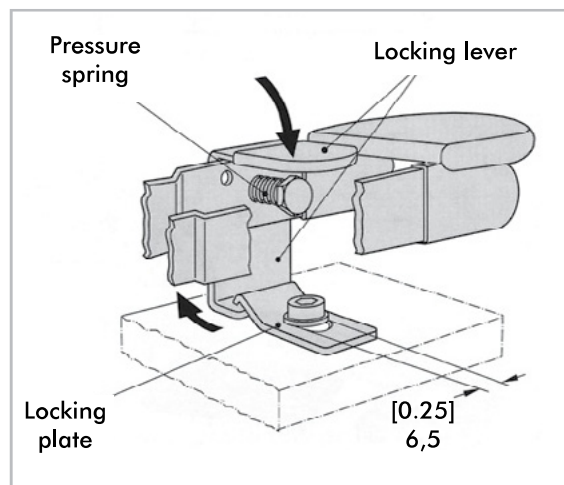


**371-R**  
**371-RSS**  
with DESTACO®  
Toggle Lock  
Plus™



Model	A	A1	A3	A6	B	B1	B4	C	C2	Ø D	H	H1
351-R	[0.75]	[1.50]	[0.50]	[3.06]	[1.37]	[1.93]	[1.70]	[0.75]	[0.12]	[0.22]	[1.85]	[1.34]
351-RSS	19,1	38,1	12,7	77,7	34,8	49,1	19,1	19,1	3,1	5,5	47,1	33,9
371-R	[1.25]	[1.94]	[0.34]	[4.73]	[1.94]	[2.63]	[2.25]	[1.42]	[0.16]	[0.34]	[2.65]	[2.22]
371-RSS	31,8	49,2	8,7	120,1	49,2	66,7	57,2	36,1	4	8,7	67,4	56,3

Model	L	L1	M	S
351-R	[9.45]	[2.13]	M8	[4.33]
351-RSS	240	54,2	M8	110
371-R	[12.74]	[2.81]	M10	[5.59]
371-RSS	323,6	71,4	M10	142



For added convenience, DESTACO Pull Action Toggle Clamps are supplied with a thumb control lever.

Replacement Thumb Control Lever	Used on Clamp Model
330-ZB1	330
351-ZB1	351, 351-B, 351-R, 351-SS, 351-RSS
371-ZB1	371, 371-R, 371-SS, 381-RSS
381-ZB1	381, 381-SS

### Model 351-R, 351-RSS, 371-R, 371-RSS Information concerning the assembly and function of the clamps locking mechanism

The locking plate which is supplied with the unit must be fastened with a screw (M6 or 1/4-20) as shown in this illustration. The screw head should be flat.

#### Function

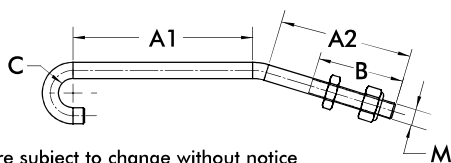
When closing the latch clamp, the locking lever engages automatically. Actuate the locking lever to open the clamp.



# 330, 351, 371, 381 SERIES

## Pull Action Latch Clamps | Replacement Hook Assembly Dimensions

Replacement Hook Assembly	Used on Clamp Model	A1	A2	B	ØC	M	Material				
330215	330	[2.00] 50,8	[1.50] 38,1	[0.75] 19,1	[0.32] 8,1	M5 x 0.8	Steel				
330215-M-25 ⓘ	330-M-25	[3.00] 76,2									
330215-M-50 ⓘ	330-M-50	[4.00] 101,6									
330215-M-100 ⓘ	330-M-100	[6.00] 152,4									
330915	330-SS	[2.00] 50,8					[3.38] 85,9	[1.63] 41,4	[0.38] 9,6	M8 x 1.25	Stainless Steel
330915-M-25 ⓘ	330-SS-M-25	[3.00] 76,2									
330915-M-50 ⓘ	330-SS-M-50	[4.00] 101,6									
330915-M-100 ⓘ	330-SS-M-100	[6.00] 152,4									
351215	351, 351-B, 351-R	[2.09] 53,1	[4.16] 105,7	[2.22] 56,4	[0.50] 12,7	M10 x 1.50	Steel				
351215-M-25 ⓘ	351-M-25 351-B-M-25 351-R-M-25	[3.09] 78,5									
351215-M-50 ⓘ	351-M-50 351-B-M-50 351-R-M-50	[4.09] 103,9									
351215-M-100 ⓘ	351-M-100 351-B-M-100 351-R-M-100	[6.09] 154,7									
351915	351-SS, 351-RSS	[2.09] 53,1					[3.94] 100	[2.22] 56,4	[0.50] 12,7	M10 x 1.50	Stainless Steel
351915-M-25 ⓘ	351-SS-M-25 351-RSS-M-25	[3.09] 78,5									
351915-M-50 ⓘ	351-SS-M-50 351-RSS-M-50	[4.09] 103,9									
351915-M-100 ⓘ	351-SS-M-100 351-RSS-M-100	[6.09] 154,7									
371215	371, 371-R	[2.94] 74,7	[4.16] 105,7	[2.22] 56,4	[0.50] 12,7	M10 x 1.50	Steel				
371215-M-25 ⓘ	371-M-25 371-R-M-25	[3.94] 100									
371215-M-50 ⓘ	371-M-50 371-R-M-50	[4.94] 125,5									
371215-M-100 ⓘ	371-M-100 371-R-M-100	[6.94] 176,3									
371915	371-SS, 371-RSS	[2.94] 74,7					[3.94] 100	[2.22] 56,4	[0.50] 12,7	M10 x 1.50	Stainless Steel
371915-M-25 ⓘ	371-SS-M-25, 371-RSS-M-25	[3.94] 100									
371915-M-50 ⓘ	371-SS-M-50 371-RSS-M-50	[4.94] 125,5									
371915-M-100 ⓘ	371-SS-M-100 371-RSS-M-100	[6.94] 176,3									
381215	381	[3.00] 76,2	[4.63] 117,6	[2.50] 63,5	[0.62] 15,8	M12 x 1.75	Steel				
381215-M-25 ⓘ	381-M-25	[4.00] 101,6									
381215-M-50 ⓘ	381-M-50	[5.00] 127									
381215-M-100 ⓘ	381-M-100	[7.00] 177,8									
381915	381-SS	[3.00] 76,2					[4.63] 117,6	[2.50] 63,5	[0.62] 15,8	M12 x 1.75	Stainless Steel
381915-M-25 ⓘ	381-SS-M-25	[4.00] 101,6									
381915-M-50 ⓘ	381-SS-M-50	[5.00] 127									
381915-M-100 ⓘ	381-SS-M-100	[7.00] 177,8									



Dimensions and technical information are subject to change without notice

MC-PAL | 8





# 323, 331, 341 SERIES

## Pull Action Latch Clamps | Product Overview

### Features:

- U-hook style latch clamps are supplied with threaded U-hooks for easy adjustment
- Supplied with latch plate and patented thumb control lever for one handed operation
- DESTACO® Toggle Lock Plus™ versions available
- Stainless steel version available as **-SS** models

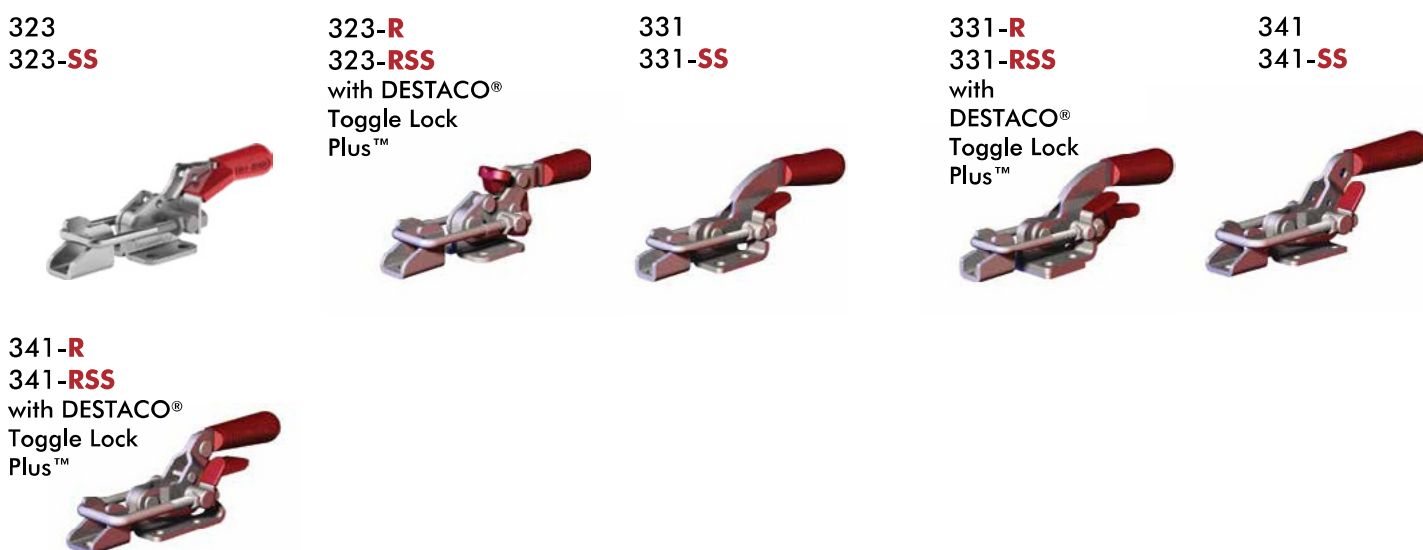
### Applications:

- Molding
- Closures for doors, lids, covers
- Assembly

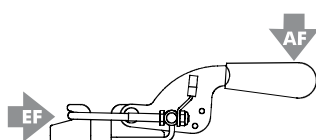
### Also Available:

- Clamps with longer hooks available Upon Request that are 25mm, 50mm, 100mm longer than standard length
- To order clamp with longer hook, add **-M-25**, **-M-50**, or **-M-100** to the end of the model. Example: 323-**M-50**

Covered under one or more U.S./International Patents



## Technical Information | Holding Capacities



Model	Max. Holding Capacity	Weight	EF:AF	Drawing Movement	Latch Plate (Supplied)	Replacement Hook Assembly	Hook Adj. Range
323	1600 N [360 lbf]	0,07kg [0.15lb]	27:1	30 [1.18]	323104-M	323215	[0.36] 9,1
323-SS					323104-MSS	323915	
323-R				323104-M	323215		
323-RSS				323104-MSS	323915		
331	3200 N [720 lbf]	0,25kg [0.56lb]	32:1	44,5 [1.75]	331005	331215	[0.87] 22,1
331-SS					331905	331915	
331-R					331005	331215	
331-RSS					331905	331915	
341	8900 N [2000 lbf]	0,65kg [1.43lb]	29:1	63,5 [2.50]	341005	341215	[0.97] 24,6
341-SS					341905	341915	
341-R					341005	341215	
341-RSS					341905	341915	

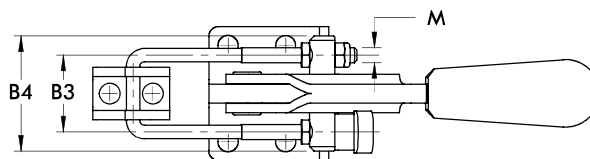
EF = Exerting Force, AF = Applied Force



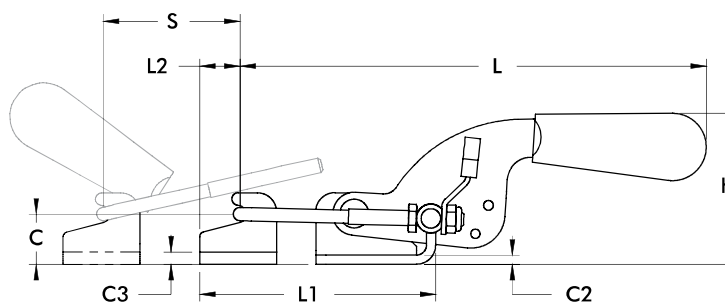
# 323, 323-R, 331, 341 SERIES

Pull Action Latch Clamps | Dimensions | -R/-RSS

323  
323-SS



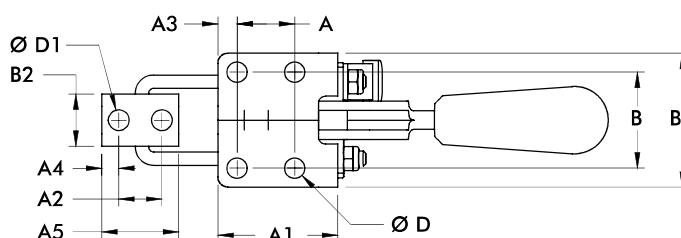
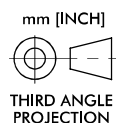
323-R  
323-RSS  
with DESTACO®  
Toggle Lock  
Plus™



331  
331-SS



341  
341-SS



Model	A	A1	A2	A3	A4	A5	B	B1	B2	B3	B4	C	C2
323													
323-SS	[0.63]	[1.02]	[0.39]	[0.20]	[0.24]	[0.79]	[0.75]	[1.10]	[0.52]	[0.75]	[1.10]	[0.47]	[0.08]
323-R	16	26	10	5	6	20	19	28	13,2	19,1	28	12	2
323-RSS													
331													
331-SS	[0.75]	[1.56]	[0.56]	[0.25]	[0.22]	[1.00]	[1.25]	[1.74]	[0.68]	[1.00]	[1.50]	[0.66]	[0.12]
331-SS	19,1	39,7	14,3	6,4	5,6	25,4	31,8	44,3	17,3	25,4	38,1	16,7	3,1
341													
341-SS	[1.63]	[2.38]	[0.75]	[0.38]	[0.38]	[1.50]	[1.50]	[2.12]	[1.19]	[1.75]	[2.38]	[0.94]	[0.16]
341-SS	41,3	60,5	19,1	9,7	9,5	38,1	38,1	53,8	30,1	44,5	60,5	23,8	4

Model	C3	ØD	ØD2	H	L	L1 MAX	L2	M	S
323									
323-SS	[0.08]	[0.17]	[0.17]	[1.19]	[3.88]	[2.32]	[0.37]	M4	[1.18]
323-R	2	4,2	4,2	30,3	98,6	58,9	9,3	M4	30
323-RSS									
331									
331-SS	[0.12]	[0.27]	[0.27]	[1.97]	[6.07]	[3.07]	[0.52]	M5	[1.75]
331-SS	3,1	6,7	6,9	50	154,2	78	13,3	M5	45,5
341									
341-SS	[0.16]	[0.33]	[0.33]	[2.89]	[8.20]	[4.59]	[0.75]	M8	[2.50]
341-SS	4	8,5	8,5	73,4	208,3	116,6	19,1	M8	63,5

Dimensions and technical information are subject to change without notice

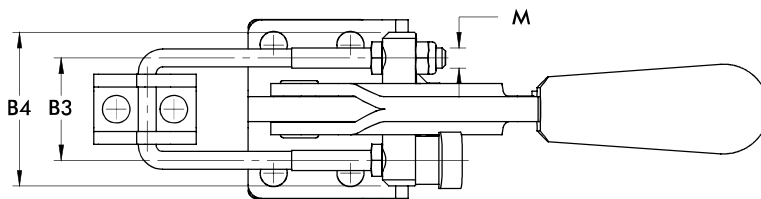
MC-PAL | 10



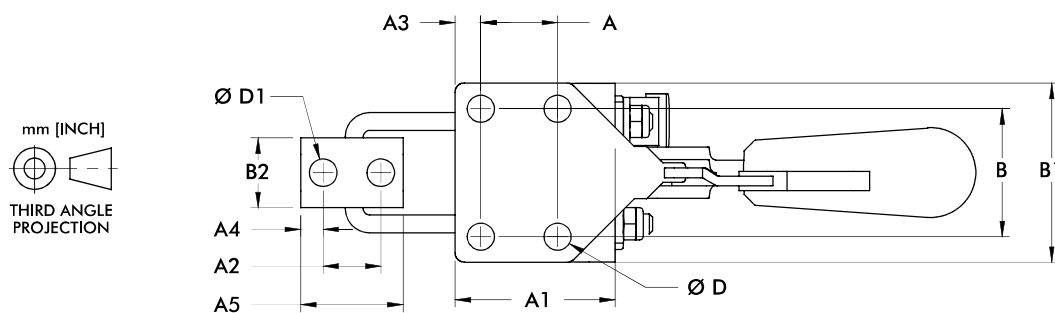
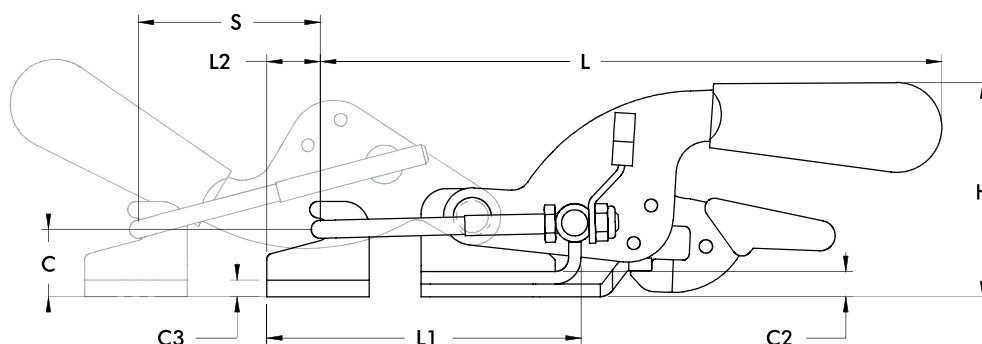
# 331-R, 341-R SERIES

Pull Action Latch Clamps | Dimensions | -R/-RSS

**331-R**  
**331-RSS**  
with DESTACO®  
Toggle Lock  
Plus™



**341-R**  
**341-RSS**  
with DESTACO®  
Toggle Lock  
Plus™



Model	A	A1	A2	A3	A4	A5	B	B1	B2	B3	B4	C	C2
331-R	[0.75]	[1.56]	[0.56]	[0.25]	[0.22]	[1.00]	[1.25]	[1.74]	[0.68]	[1.00]	[1.50]	[0.66]	[0.12]
331-RSS	19,1	39,7	14,3	6,4	5,6	25,4	31,8	44,3	17,3	25,4	38,1	16,7	3,1
341-R	[1.63]	[2.38]	[0.75]	[0.38]	[0.38]	[1.50]	[1.50]	[2.12]	[1.19]	[1.75]	[2.38]	[0.94]	[0.16]
341-RSS	41,3	60,5	19,1	9,7	9,5	38,1	38,1	53,8	30,1	44,5	60,5	23,8	4

Model	C3	ØD	ØD2	H	L	L1 MAX	L2	M	S
331-R	[0.12]	[0.27]	[0.27]	[2.01]	[6.07]	[3.07]	[0.52]	M5	[1.75]
331-RSS	3,1	6,7	6,9	53,1	154,2	78	13,3	M5	45,5
341-R	[0.16]	[0.33]	[0.33]	[2.89]	[8.20]	[5.24]	[0.77]	M8	[2.50]
341-RSS	4	8,5	8,5	73,4	208,3	133,2	19,4	M8	63,5

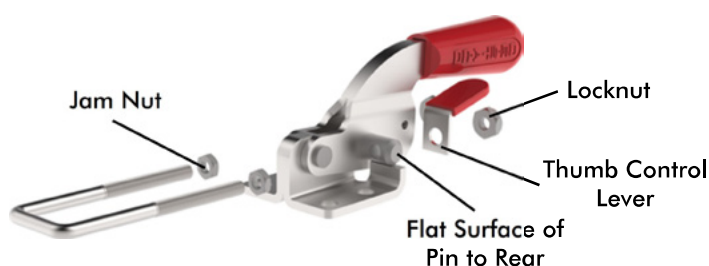


# 323, 331, 341 SERIES

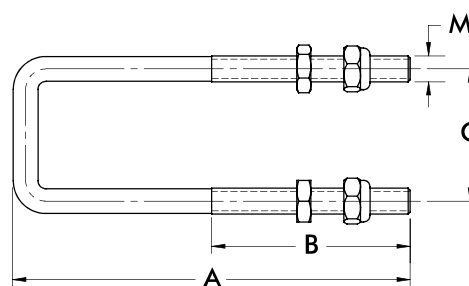
Pull Action Latch Clamps | Replacement Hook Assembly | Dimensions

Replacement Hook Assembly	Used on Clamp Model	A	B	C	M	Material
323215	323, 323-R	[2.12] 53,8	[0.94] 23,8	[0.75] 19,1	M4 x 0.7	Steel
323215-M-25 ⓘ	323-M-25, 323-R-M-25	[3.12] 79,2				
323215-M-50 ⓘ	323-M-50, 323-R-M-50	[4.12] 104,6				
323215-M-100 ⓘ	323-M-100, 323-R-M-100	[6.12] 155,4				
323915	323-SS, 323-RSS	[2.12] 53,8	[1.50] 38,1	[1.00] 25,4	M5 x 0.8	Stainless Steel
323915-M-25 ⓘ	323-SS-M-25, 323-RSS-M-25	[3.12] 79,2				
323915-M-50 ⓘ	323-SS-M-50, 323-RSS-M-50	[4.12] 104,6				
323915-M-100 ⓘ	323-SS-M-100, 323-RSS-M-100	[6.12] 155,4				
331215	331, 331-R	[3.00] 76,2	[1.50] 38,1	[1.00] 25,4	M5 x 0.8	Steel
331215-M-25 ⓘ	331-M-25, 331-R-M-25	[4.00] 101,6				
331215-M-50 ⓘ	331-M-50, 331-R-M-50	[5.00] 127				
331215-M-100 ⓘ	331-M-100, 331-R-M-100	[7.00] 177,8				
331915	331-SS, 331-RSS	[3.00] 76,2	[1.50] 38,1	[1.00] 25,4	M5 x 0.8	Stainless Steel
331915-M-25 ⓘ	331-SS-M-25, 331-RSS-M-25	[4.00] 101,6				
331915-M-50 ⓘ	331-SS-M-50, 331-RSS-M-50	[5.00] 127				
331915-M-100 ⓘ	331-SS-M-100, 331-RSS-M-100	[7.00] 177,8				
341215	341, 341-R	[4.31] 109,5	[1.97] 50	[1.75] 44,5	M8 x 1.25	Steel
341215-M-25 ⓘ	341-M-25, 341-R-M-25	[5.31] 135				
341215-M-50 ⓘ	341-M-50, 341-R-M-50	[6.31] 160,2				
341215-M-100 ⓘ	341-M-100, 341-R-M-100	[8.31] 211				
341915	341-SS, 341-RSS	[4.31] 109,5	[1.97] 50	[1.75] 44,5	M8 x 1.25	Stainless Steel
341915-M-25 ⓘ	341-SS-M-25, 341-RSS-M-25	[5.31] 135				
341915-M-50 ⓘ	341-SS-M-50, 341-RSS-M-50	[6.31] 160,2				
341915-M-100 ⓘ	341-SS-M-100, 341-RSS-M-100	[8.31] 211				

ⓘ This item is available upon request.



For added convenience, DESTACO Pull Action Toggle Clamps are supplied with a thumb control lever that allows the clamp to be operated with one hand.



Replacement Thumb Control Lever	Used on Clamp Model
324-ZB1	323, 323-SS
330-ZB1	331, 331-SS 331-R, 331-RSS
341-ZB1	341, 341-SS 341-R, 341-RSS

# 375 SERIES

## Pull Action Latch Clamps | Dimensions

### Features:

- Heavy duty U-hook style latch clamps are supplied with threaded U-hooks for easy adjustment
- Supplied patented thumb control lever for one handed operation
- DESTACO® Toggle Lock Plus™ versions available

### Applications:

- Molding
- Closures for doors, lids, covers
- Assembly

### Also Available:

- Clamps with longer hooks available Upon Request that are 25mm, 50mm, 100mm longer than standard length
- To order clamp with longer hook, add **-M-25**, **-M-50**, or **-M-100** to the end of the model. Example: 375-**M-50**

Covered under one or more U.S./International Patents

375



**375-R**  
with DESTACO®  
Toggle Lock  
Plus™



**375-B**  
Weld-on  
Mounting



**375-BR** ⓘ  
Weld-on  
Mounting  
with DESTACO®  
Toggle Lock  
Plus™



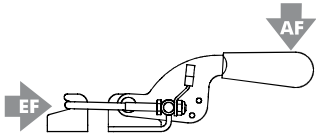
375509  
Cleat



385102  
Optional  
Latch Plate  
for 375 and  
375-R



## Technical Information | Holding Capacities

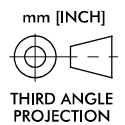
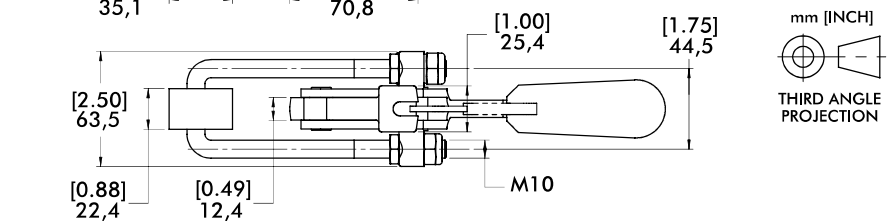
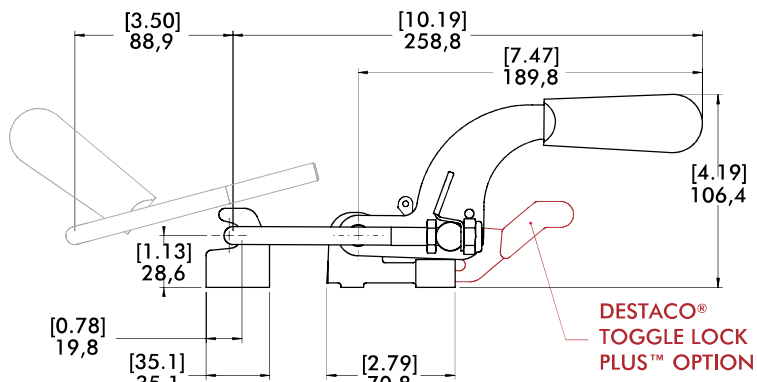
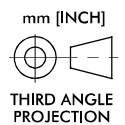
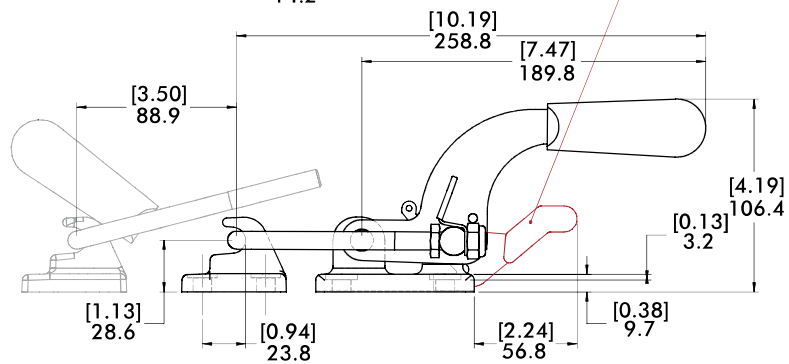
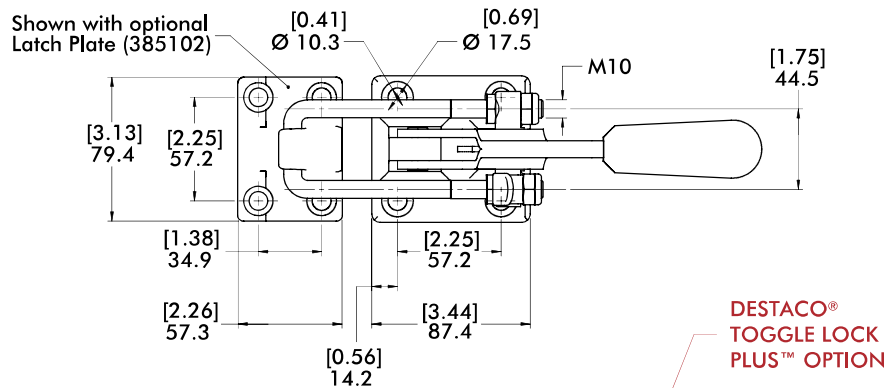


Model	Max. Holding Capacity	Weight	EF:AF	Drawing Movement	Latch Plate	Replacement Hook Assembly	Hook Adj. Range
375	[4000 lbf] 17800 N	[2.94lb] 1,33kg	44:1	88,9 [3.50]	385102 (Optional)	375215	[0.81] 20,5
375-R		[3.0lb] 1,36kg					
375-B		[2.56lb] 1,16kg			375509 (Cleat Supplied)		
375-BR ⓘ		[2.62lb] 1,19kg					

ⓘ This item is available upon request. **EF** = Exerting Force, **AF** = Applied Force

# 375, 375-R, 5-B, 375-BR SERIES

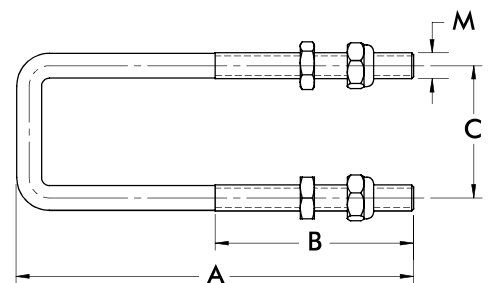
## Pull Action Latch Clamps | Dimensions



Replacement Hook Assembly	A	B	C	M
375215	[5.72] 145	50,8 [2.00]	[1.75] 44,5	M10 x 1.50

Hook assembly includes (2) jam nuts and (2) locknuts. Longer hook lengths available Upon Request. 375215-M-25, 375215-M-50, 375215-M-100

Replacement Thumb Control Lever	Used on Clamp Model
375-ZB1	375, 375-B 375-R, 375-BR



# 385 SERIES

## Pull Action Latch Clamps | Dimensions

### Features:

- Heavy duty U-hook style latch clamps are supplied with threaded U-hooks for easy adjustment
- Supplied with patented thumb control lever for one handed operation
- DESTACO® Toggle Lock Plus™ versions available

### Applications:

- Molding
- Closures for doors, lids, covers
- Assembly

### Also Available:

- Clamps with longer hooks available Upon Request that are 25mm, 50mm, 100mm longer than standard length
- To order clamp with longer hook, add **-M-25**, **-M-50**, or **-M-100** to the end of the model. Example: 385-**M-50**

Covered under one or more U.S./International Patents

385

385-SS



385-R

385-RSS  
with DESTACO®  
Toggle Lock  
Plus™



385-L

Low Profile  
Handle



385102

Optional  
Latch Plate  
for 385, 385-R  
and 385-L

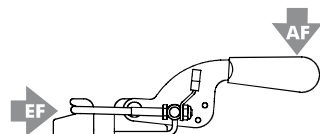


385902

Optional Stainless  
Latch Plate for  
385-SS and  
385-RSS



## Technical Information | Holding Capacities

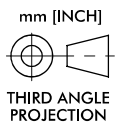
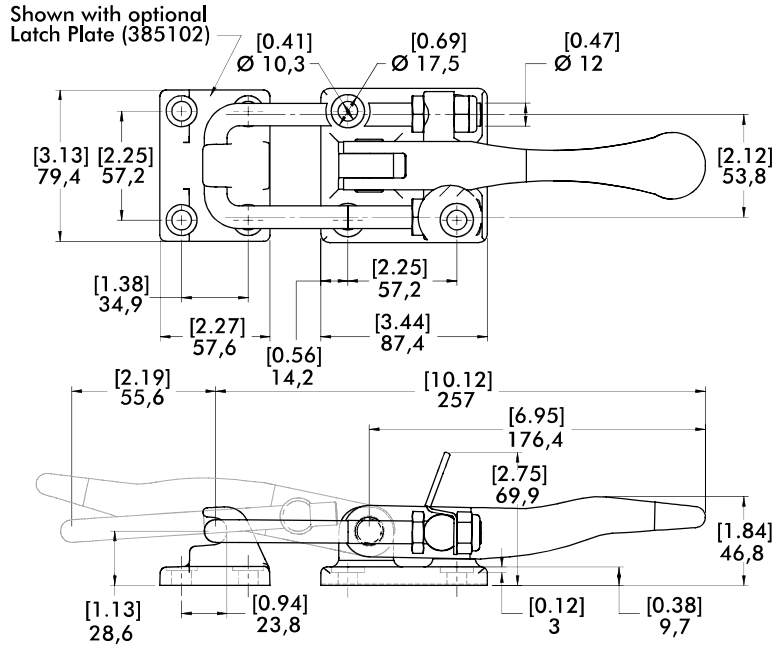
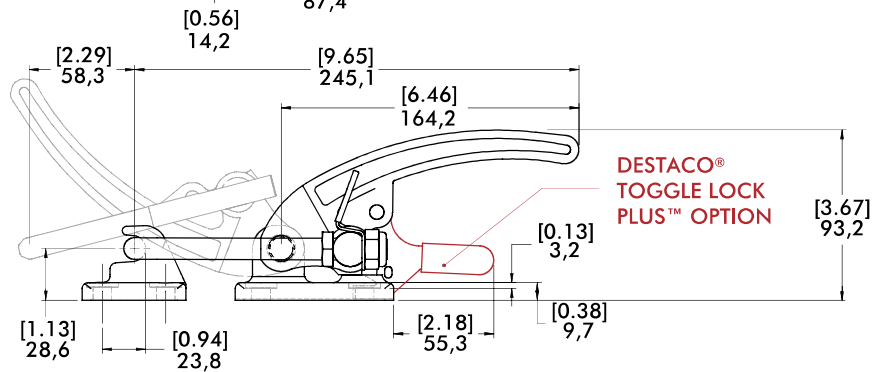
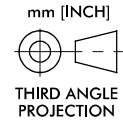
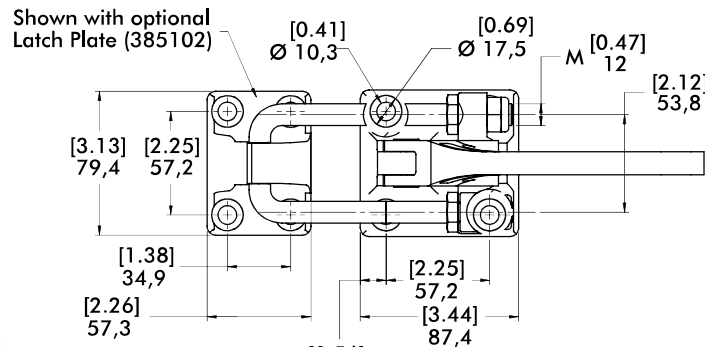


Model	Max. Holding Capacity	Weight	EF:AF	Drawing Movement	Latch Plate/Cleat (Optional)	Replacement Hook Assembly	Hook Adj. Range
385		[3.3lb] 1,50kg					
385-SS					385102	385215	
385-R	[7500 lbf] 33300 N	[3.4lb] 1,54kg	44:1	55,6 [2.19]	385902 (Stainless Steel)	385915 (Stainless Steel)	[1.36] 34,5
385-L		[3.3lb] 1,50kg					

① This item is available upon request. **EF** = Exerting Force, **AF** = Applied Force

# 385, 385-R, 385-L SERIES

## Pull Action Latch Clamps | Dimensions





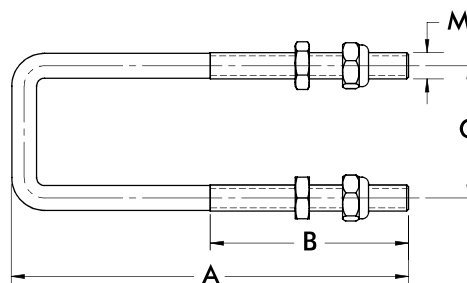
# 385, 385-R, 385-L SERIES

Pull Action Latch Clamps | Replacement Hook Assembly | Dimensions

Replacement Hook Assembly	Used on Clamp Model	A	B	C	M	Material
385215	385, 385-R, 385-L	[5.72] 145,3				Steel
385215-M-25 ⓘ	385-M-25, 385-R-M-25 385-L-M-25	[6.72] 170,7				
385215-M-50 ⓘ	385-M-50, 385-R-M-50 385-L-M-50	[7.72] 196				
385215-M-100 ⓘ	385-M-100, 385-R-M-100 385-L-M-100	[9.72] 247				
385915	385-SS, 385-RSS	[5.72] 145,3	[2.75] 70	[2.12] 53,8	M12 x 1.75	Stainless Steel
385915-M-25 ⓘ	385-SS-M-25, 385-RSS-M-25	[6.72] 170,7				
385915-M-50 ⓘ	385-SS-M-50, 385-RSS-M-50	[7.72] 196				
385915-M-100 ⓘ	385-SS-M-100, 385-RSS-M-100	[9.72] 247				

ⓘ This item is available upon request.

Replacement Thumb Control Lever	Used on Clamp Model
385-ZB1	385, 385-R, 385-L, 385-SS, 385-RSS



# 324, 334, 344, 374 SERIES

## Pull Action Latch Clamps | Product Overview

### Features:

- U-hook style latch clamps supplied with threaded U-hooks for easy adjustment
- Supplied with latch plate (except 374) and patented thumb control lever for one handed operation.
- DESTACO® Toggle Lock Plus™ versions available
- Stainless steel available as **-SS** models.

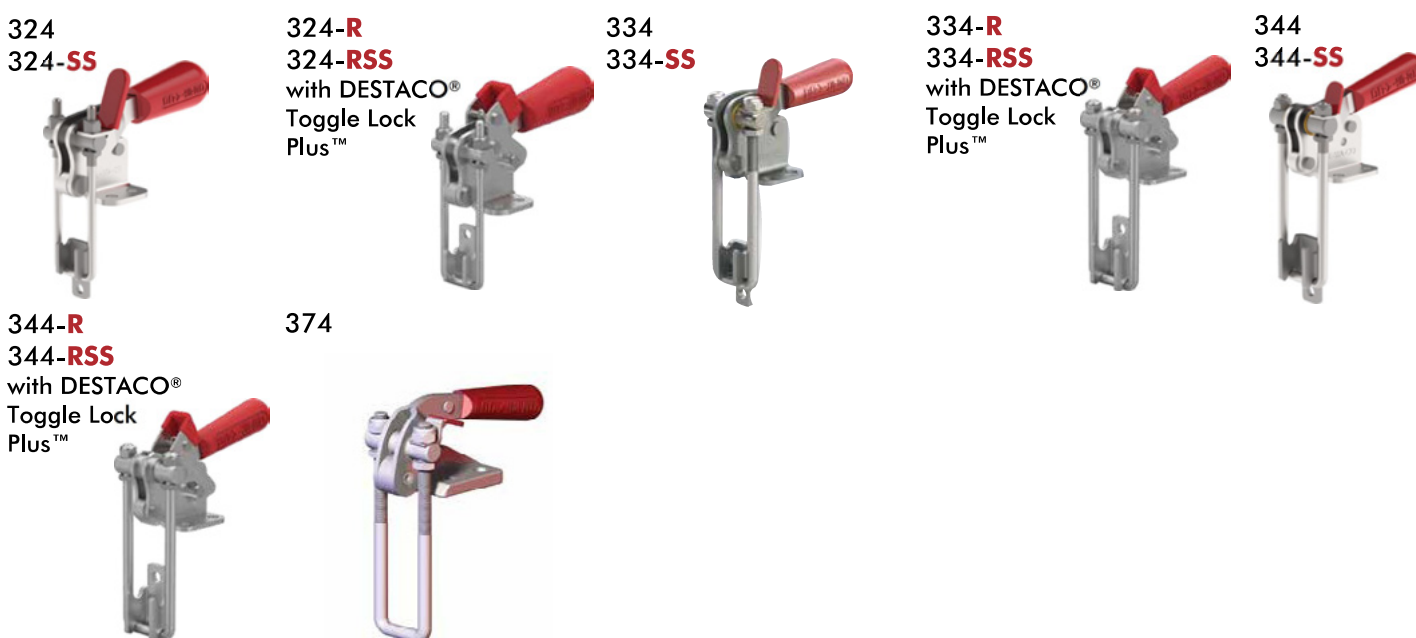
### Applications:

- Molding
- Closures for doors, lids, covers
- Assembly

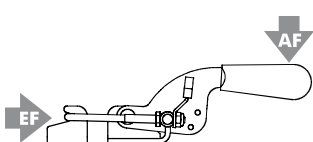
### Also Available:

- Clamps with longer hooks available Upon Request that are 25mm, 50mm, 100mm longer than standard length
- To order clamp with longer hook, add **-M-25**, **-M-50**, or **-M-100** to the end of the model. Example: 324-**M-50**

Covered under one or more U.S./International Patents



## Technical Information | Holding Capacities

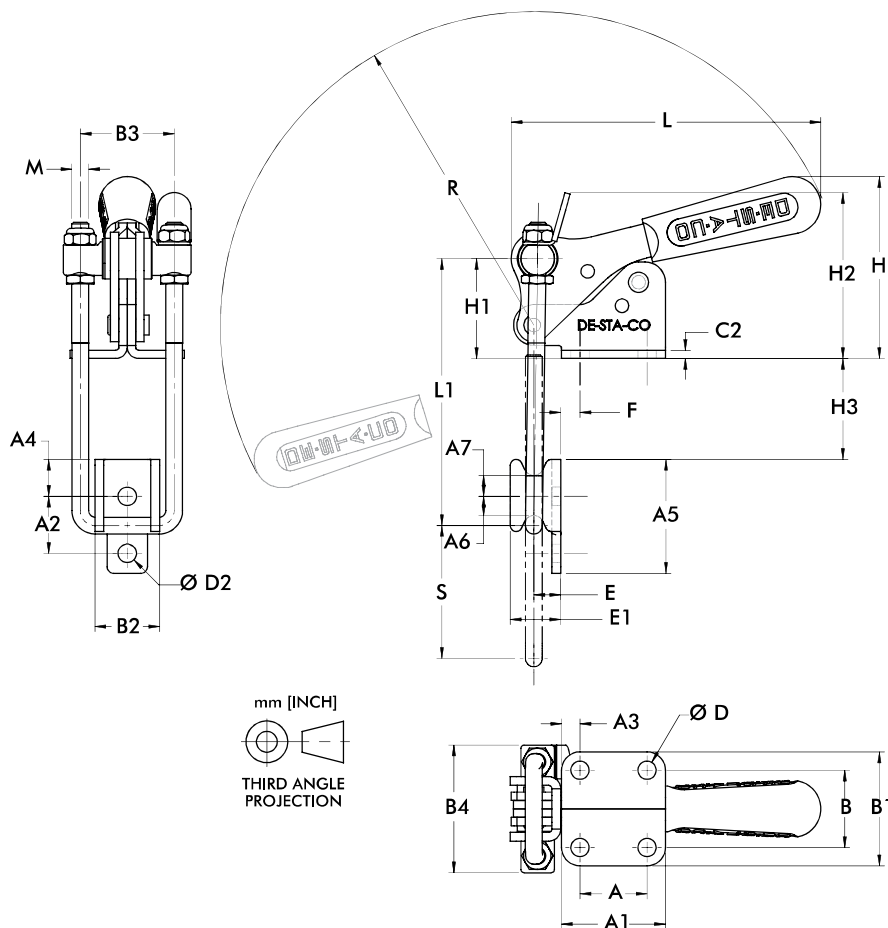


Model	Max. Holding Capacity	Weight	EF:AF	(S) Drawing Movement	Latch Plate (Supplied)	Replacement Hook Assembly	Hook Adj. Range	
324					324101	324215		
324-SS	[500 lbf]	[0.25lb]		31:1	324901	324915	11.9 [0.47]	
324-R	2200 N	0,11kg			324101	324215		
324-RSS					324901	324915		
334					334101	334215		
334-SS	[1000 lbf]	[0.60lb]		51,7 [2.04]	334901	334915	19.3 [0.76]	
334-R	4450 N	0,27kg			334101	334215		
334-RSS					334901	334915		
344					344101	344215		
344-SS	[2000 lbf]	[1.50lb]	45:1	62,4 [2.46]	344901	344915	31 [1.22]	
344-R	8900 N	0,68kg				344101		344215
344-RSS						344901		344915
374	[4000 lbf]	[2.10lb]			36:1	44,5 [1.75]		None*

EF = Exerting Force, AF = Applied Force \*375509 Latch Plate may be used as an alternate.

# 324, 334, 344, 374 SERIES

Pull Action Latch Clamps | Dimensions | -SS



Model	A	A1	A2	A3	A4	A5	A6	A7	B	B1	B2	B3	B4	C2
324	[0.50]	[1.00]	[0.56]	[0.25]	[0.28]	[1.00]	[0.19]	[0.19]	[0.88]	[1.38]	[0.53]	[0.81]	[1.19]	[0.09]
324-SS	12,7	25,4	14,2	6,4	7,1	25,4	4,8	4,8	22,4	35,1	13,5	20,7	30,2	2,4
334	[0.75]	[1.31]	[0.81]	[0.28]	[0.41]	[1.50]	[0.28]	[0.28]	[1.00]	[1.56]	[0.68]	[1.13]	[1.63]	[0.12]
334-SS	19,1	33,3	20,6	7,1	10,4	38,1	7,1	7,1	25,4	39,6	17,4	28,7	41,4	3,1
344	[1.25]	[1.94]	[1.06]	[0.35]	[0.69]	[2.13]	[0.36]	[0.39]	[1.44]	[2.12]	[1.20]	[1.75]	[2.38]	[0.16]
344-SS		49,3	27	8,0	17,5	54	9,1	9,9	36,6	53,8	30,6		60,5	4
374	31,8	[2.43]	--	[0.68]	--	--	--	--	[1.50]	[2.50]	--	44,5	[2.36]	[0.37]
		61,7		17,3					38,1	63,5			60	9,4

Model	ØD	ØD2	F	H	H1	H2	H3	E	E1	L	L1 MAX	R	M	S
324	[0.20]	[0.17]	[0.25]	[1.91]	[1.10]	[1.97]	[0.92]	[0.19]	[0.38]	[3.49]	[2.56]	[3.49]	M4	[1.53]
324-SS	5,1	4,3	6,4	48,5	28	50,1	[23,4]	4,4	9,7	88,7	65,1	88,8		38,7
334	[0.28]	[0.22]	[0.28]	[2.37]	[1.55]	[2.68]	[1.34]	[0.35]	[0.63]	[4.10]	[3.70]	[4.12]	M6	[2.04]
334-SS	7,1	5,6	7,1	60,1	39,3	68	34	8,8	16	104,2	94	104,5		51,8
344	[0.34]	[0.34]	[0.35]	[3.39]	[1.86]	[7.09]	[1.73]	[0.50]	[0.94]	[5.77]	[5.00]	[5.84]	M8	[2.46]
344-SS	8,6	8,6	8,9	86,1	47,3	78,6	49,1	12,7	23,8	146,6	126,9	148,4		62,4
374	[0.41]	--	--	[2.38]	[1.36]	--	--	--	--	[6.60]	[6.04]	[6.04]	M10	[1,75]
	10,3			60,5	34,5					167,8	153,5	153,5		44,5



# 324-R, 334-R, 344-R SERIES

Pull Action Latch Clamps | Dimensions | -R/-RSS

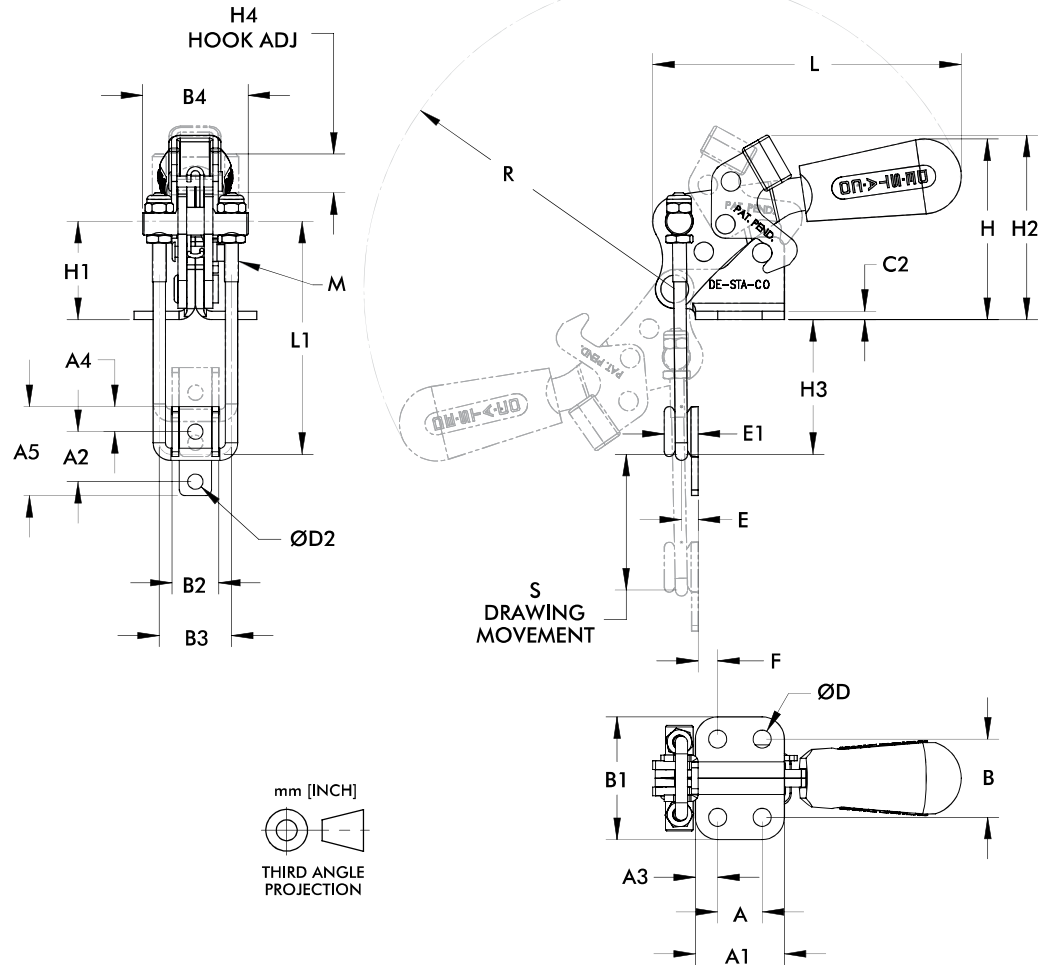
**324-R**  
**324-RSS**  
with DESTACO®  
Toggle Lock  
Plus™



**334-R**  
**334-RSS**  
with DESTACO®  
Toggle Lock  
Plus™



**344-R**  
**344-RSS**  
with DESTACO®  
Toggle Lock  
Plus™



Model	A	A1	A2	A3	A4	A5	B	B1	B2	B3	B4	C2	D
324-R	[.50]	[1.00]	[.56]	[.25]	[.28]	[1.00]	[0.88]	[1.38]	[.52]	[0.81]	[0.44]	[0.09]	[0.20]
324-RSS	12.7	25.4	14.3	6.4	7.1	25.4	22.4	35.1	13.3	20.6	11.1	2.4	5.2
334-R	[.75]	[1.38]	[.81]	[.27]	[.41]	[2.13]	[1.00]	[1.56]	[0.68]	[1.13]	[1.63]	[0.12]	[0.28]
334-RSS	19.1	34.9	20.6	7.0	10.3	54.0	25.4	39.6	17.3	28.6	41.3	3.1	7.1
344-R	[1.25]	[1.94]	[1.06]	[.34]	[0.69]	[2.13]	[1.44]	[2.13]	[1.21]	[1.75]	[2.38]	[0.16]	[0.34]
344-RSS	31,8	49.1	27.0	8.7	17,5	54	36,6	54	30,6	44,5	60,5	4	8.6

Model	D2	E	E1	F	H	H1	H2	H3	H4	L	L1	M	S	R
324-R	[0.17]	[0.20]	[0.17]	[0.22]	[2.03]	[1.11]	[2.07]	[1.52]	[.44]	[3.47]	[2.62]	M4	[1.53]	[3.49]
324-RSS	4.4	5.2	4.4	5.6	51.6	28.1	52.7	38.5	11.1	88.1	66.6	M4	38.7	88.8
334-R	[0.22]	[0.35]	[0.63]	[0.18]	[2.37]	[1.55]	[2.55]	[2.22]	[0.86]	[4.12]	[3.76]	M6	[2.04]	[4.10]
334-RSS	5.6	8.8	15.9	4.5	60.2	39.3	64.7	56.3	21.8	104.6	95.6	M6	51.7	104.2
344-R	[0.34]	[0.50]	[0.94]	[0.36]	[3.40]	[1.86]	[3.39]	[3.17]	[1.22]	[5.77]	[5.04]	M8	[2.46]	[5.90]
344-RSS	8,7	12,7	23,9	9,1	86,5	47,3	86.0	80.8	31	146.5	128.0	M8	62.4	150

# 324, 334, 344, 374 SERIES

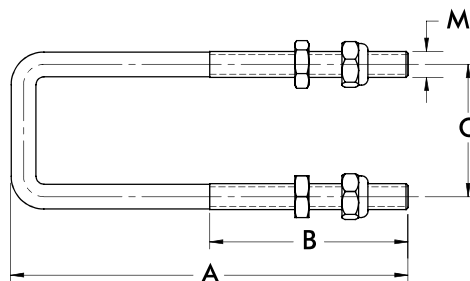
Pull Action Latch Clamps | Replacement Hook Assembly | Dimensions

Replacement Hook Assembly	Used on Clamp Model	A	B	C	M	Material
324215	324, 324-R	[3.00] 76	[1.00] 25,4	[0.81] 20,6	M4X0.7	Steel
324215-M-25 ⓘ	324-M-25 324-R-M-25	[4.00] 101,6				
324215-M-50 ⓘ	324-M-50 324-R-M-50	[5.00] 127				
324215-M-100 ⓘ	324-M-100 324-R-M-100	[7.00] 178				
324915	324-SS, 324-RSS	[3.00] 76	[1.50] 38,1	[1.13] 28,7	M6X1.0	Stainless Steel
324915-M-25 ⓘ	324-SS-M-25	[4.00] 101,6				
324915-M-50 ⓘ	324-SS-M-50	[5.00] 127				
324915-M-100 ⓘ	324-SS-M-100	[7.00] 178				
334215	334, 334-R	[4.31] 109,5	[2.25] 57,2	[1.75] 44,5	M8X1.25	Steel
334215-M-25 ⓘ	334-M-25 334-R-M-25	[5.31] 135				
334215-M-50 ⓘ	334-M-50 334-R-M-50	[6.31] 160,3				
334215-M-100 ⓘ	334-M-100 334-R-M-100	[8.31] 211				
334915	334-SS, 334-RSS	[4.31] 109,5	[3.25] 82,6		M10X1.50	Stainless Steel
334915-M-25 ⓘ	334-SS-M-25	[5.31] 135				
334915-M-50 ⓘ	334-SS-M-50	[6.31] 160,3				
334915-M-100 ⓘ	334-SS-M-100	[8.31] 211				
344215	344, 344-R	[5.81] 147,5				Steel
344215-M-25 ⓘ	344-M-25 344-R-M-25	[6.81] 173				
344215-M-50 ⓘ	344-M-50 344-R-M-50	[7.81] 198,5				
344215-M-100 ⓘ	344-M-100 344-R-M-100	[9.81] 249,2				
344915	344-SS, 344-RSS	[5.81] 147,5				Stainless Steel
344915-M-25 ⓘ	344-SS-M-25	[6.81] 173				
344915-M-50 ⓘ	344-SS-M-50	[7.81] 198,5				
344915-M-100 ⓘ	344-SS-M-100	[9.81] 249,2				
374215	374	[6.50] 165				Steel
374215-M-25 ⓘ	374-M-25	[7.50] 190,5				
374215-M-50 ⓘ	374-M-50	[8.50] 216				
374215-M-100 ⓘ	374-M-100	[10.50] 266,5				

Hook assemblies are supplied with (2) jam nuts and (2) locknuts.

ⓘ This item is available upon request.

Replacement Thumb Control Lever	Used on Clamp Model
324-ZB1	324, 324-SS
334-ZB1	334, 334-SS
344-ZB1	344, 344-SS
375-ZB1	374



# 3011 SERIES

## Pull Action Latch Clamps | Product Overview

### Features:

- Heavy duty cast steel or stainless steel construction with ergonomic handle
- Replaceable stainless steel pivot pins

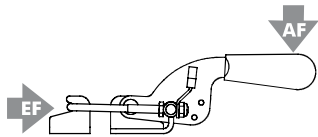
### Applications:

- Molding
- Closures for doors, lids, covers
- Assembly

3011

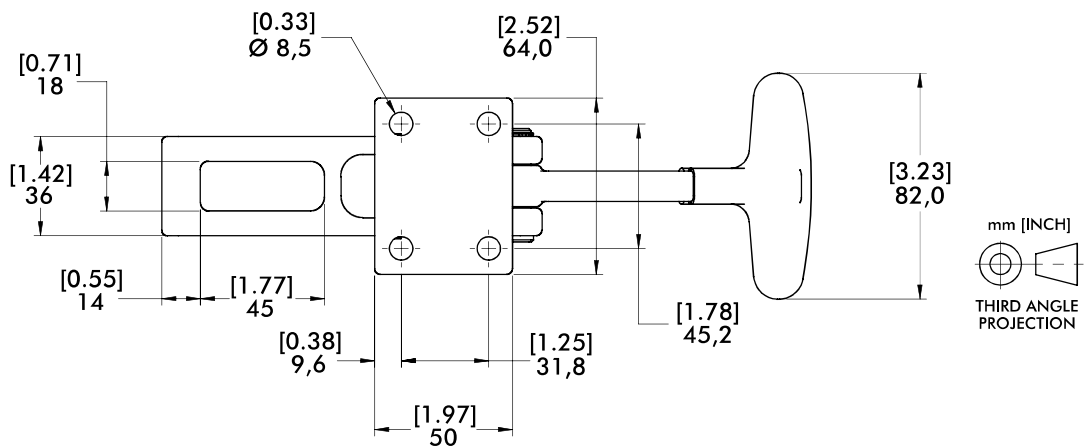
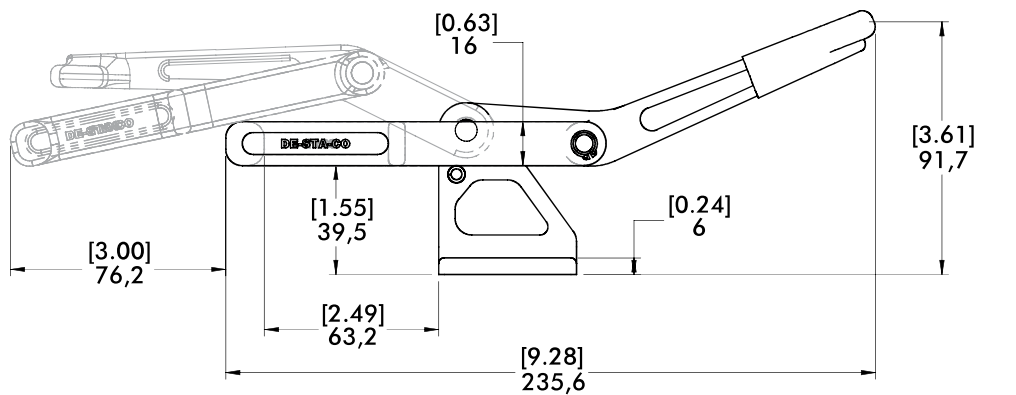


## Technical Information | Holding Capacities | Dimensions



Model	Max. Holding Capacity	Weight	EF:AF	Drawing Movement
3011	8900 N [2000 lbf]	0,91kg [2.00lb]	31:1	76,2 [3.00]

EF = Exerting Force, AF = Applied Force



# 353 SERIES

## Pull Action Latch Clamps | Dimensions

### Features:

- Heavy duty cast steel clamps are designed to withstand the harshest environments
- Ideally suit for parting line clamping of rotational molds
- Replaceable stainless steel pivot pins

### Applications:

- Molding
- Closures for doors, lids, covers

### Also Available:

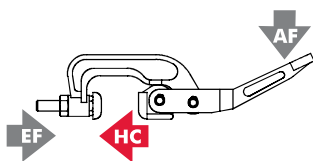
- Keeper plate
- Papered bolt assembly

353-35

353-65

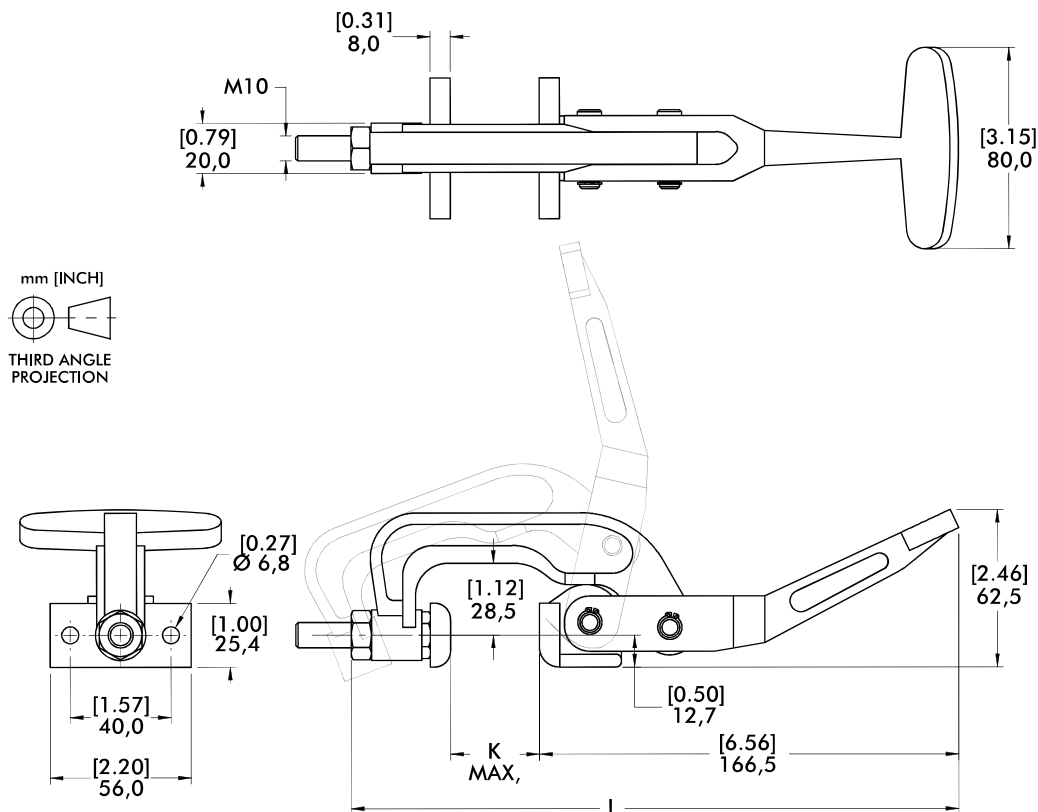


## Technical Information | Holding Capacities



Model	Max. Holding Capacity	Weight	EF:AF	Drawing Movement	L	K	Keeper Plate (included)	Tapered Bolt Assembly (included)
353-35	[2800 lbf] 12460 N	[2.10lb] 0,95kg	23:1	12 [0.47]	[9.50] 241,5	[1.38] 35	353004	353908
353-65	[2100 lbf] 9350 N	[2.30lb] 1,04kg	27:1		[10.69] 271,5	[2.56] 65		

EF = Exerting Force, AF = Applied Force



Dimensions and technical information are subject to change without notice

MC-PAL | 24

